



K-LINE INSULATORS LIMITED  
TORONTO, ONTARIO, CANADA

# Catalogue MB-PT

## Single Circuit *Pole Top Framing Assembly*

---



ISO9001  
SAI GLOBAL  
FILE No. 000117

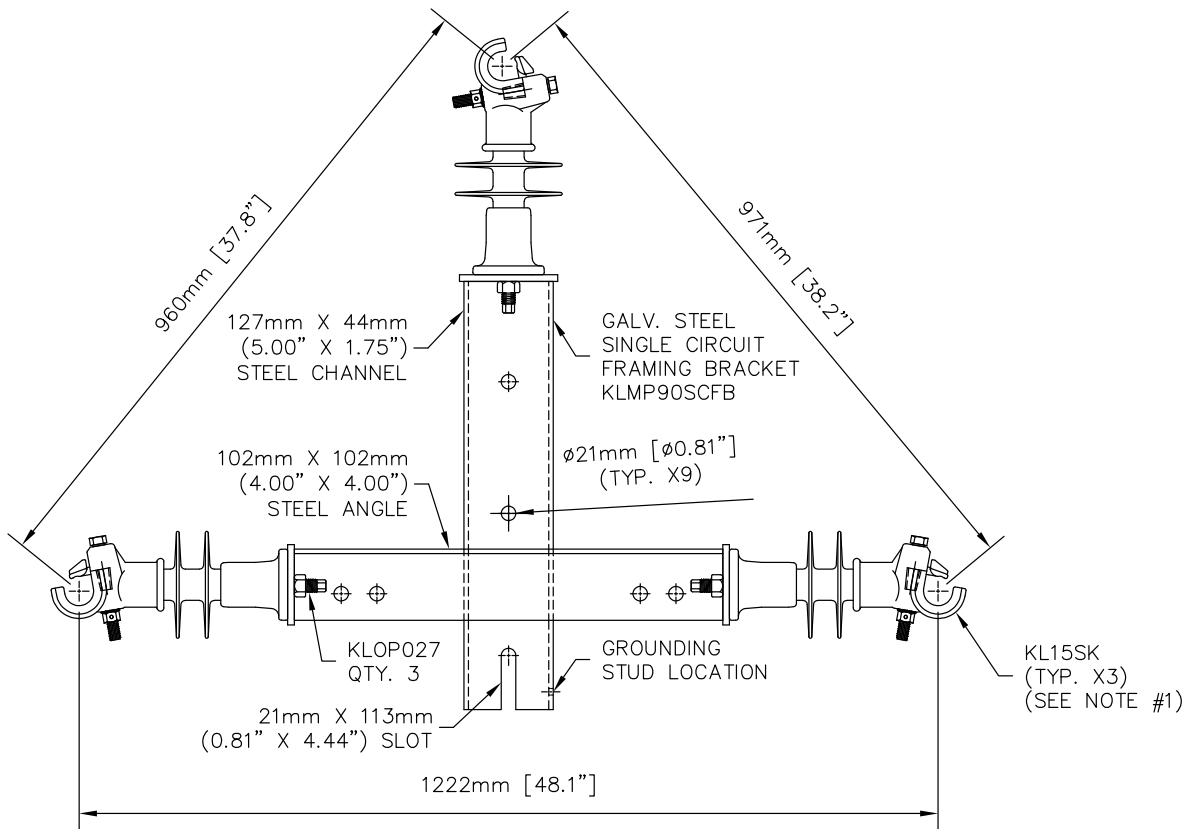
# Single Circuit Pole Top Framing Assembly

The ultimate in labour savings and convenience is provided by **K-Line Insulators Limited's** single circuit pole-top framing assembly. The assembly comes complete in kit form with mounting bracket, polymer line post insulators, trunnion clamps or K-CLAMP™ and insulator mounting studs. Install with two bolts and the structure is ready to go.

This assembly provides increased clearance for work methods, wildlife outages and clearance above ground.

The hot dip galvanized steel brackets come with predrilled holes for mounting of riser support insulators and a grounding lug. The insulators are of silicone, the ultimate in polymer line post insulators for maintenance-free operation.

## Single Circuit Pole Top Framing Assembly



**NOTE:**

1. Shipped unassembled with various insulator designs. Please contact **K-Line** Engineering for more information.



50 Passmore Avenue, Toronto, Ontario, Canada M1V 4T1

• Tel.: (416) 292-2008 • Fax: (416) 292-2094 • E-Mail: [insulators@k-line.net](mailto:insulators@k-line.net) • Web Page: [www.k-line.net](http://www.k-line.net)